

RECOMMENDED BOARD LAYOUT

SPECIFICATIONS  
 MAKE-BEFORE-BREAK

MATERIALS:  
 ACTUATOR- POM, UL94HB BLACK  
 TERMINAL BOARD- PHENOLIC LAMINATED SHEET, UL94HB, NATURAL  
 FRAME- STEEL, NICKEL PLATE  
 TERMINAL/FIXED CONTACT- COPPER ALLOY, GOLD OR SILVER OVER NICKEL PLATE  
 MOVING CONTACT- COPPER ALLOY, GOLD OR SILVER OVER NICKEL PLATE  
 DETENT BALL- STEEL  
 COIL SPRING- GALVANIZED SPRING WIRE  
 SEAL- EPOXY

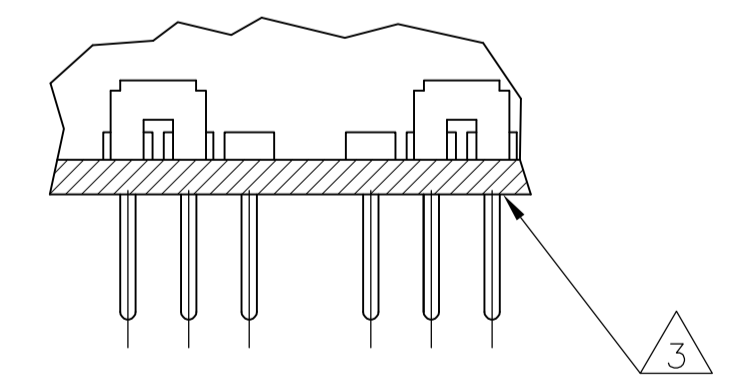
ELECTRICAL:  
 CONTACT RATING- .4VA@20VDC OR PEAK AC (GOLD); 300mA@125V AC (SILVER)  
 INITIAL CONTACT RESISTANCE- 30 milliohm max.  
 FINAL CONTACT RESISTANCE- 100 milliohm max. (AFTER TEST)  
 INSULATION RESISTANCE- 1,000 Megohms min.  
 DIELECTRIC STRENGTH- 500V RMS@SEA LEVEL  
 LIFE EXPECTANCY- 15,000 CYCLES MIN.

MECHANICAL:  
 ACTUATION FORCE- 600+/-300 GRAMS  
 TRAVEL- 2.0 +/- .50 (.079 +/- .020)

ENVIRONMENTAL:  
 OPERATING TEMPERATURE- -20 TO +85 DEGREES C  
 STORAGE TEMPERATURE- -40 TO +100 DEGREES C  
 RESISTANCE TO SOLDER HEAT PER 109-202, CONDITION B  
 SOLDERABILITY PER EIA-364-52, CLASS 2, CATEGORY 1, 95% MIN COVERAGE

NOTES:

1. COUNTRY OF ORIGIN AND TE LOGO LOCATED APPROXIMATELY AS SHOWN
2. ALL MATERIALS AND FINISHES SHALL COMPLY WITH EU DIRECTIVE 2002/95/EC OF 27JAN2003 (ROHS)
3. ANTI SOLDER WICK SEAL AT TERMINAL TO BOARD INTERFACE
4. ALL PERFORMANCE TESTING WAS DONE IN ACCORDANCE TO TYCO SPECIFICATION 102-2469



SECTION A-A

|             |              |         |   |  |  |
|-------------|--------------|---------|---|--|--|
| 1825268-2   | MSS4300RG04  | GOLD    | 1 TO 2<br>5 TO 6<br>9 TO 10<br>13 TO 14 | 2 TO 3<br>6 TO 7<br>10 TO 11<br>14 TO 15 | 2 TO 4<br>6 TO 8<br>10 TO 12<br>14 TO 16 |
| 1825268-1   | MSS4300R04   | SILVER  | 1 TO 2<br>5 TO 6<br>9 TO 10<br>13 TO 14 | 2 TO 3<br>6 TO 7<br>10 TO 11<br>14 TO 15 | 2 TO 4<br>6 TO 8<br>10 TO 12<br>14 TO 16 |
| TE PART NO. | T&B PART NO. | PLATING |   |  |  |

TERMINALS CONNECTED WHEN SLIDE IS IN POSITION SHOWN.

|  |  |                                     |   |  |
|--|--|-------------------------------------|---|--|
| THIS DRAWING IS A CONTROLLED DOCUMENT. |  | DIN R BROWN 21DEC05                 | Tyco Electronics Corporation<br>Harrisburg, Pa 17105-3608 |  |
| DIMENSIONS: mm                         |  | CHK M SARVER 21DEC05                | APVD M SARVER 21DEC05                                     |  |
| TOLERANCES UNLESS OTHERWISE SPECIFIED: |  | NAME SLIDE SWITCH, MSS 4300R SERIES |   |  |
| 0 PLC ± -                              |  | APPLICATION SPEC -                  |   |  |
| 1 PLC ± 0.3 [.012]                     |  | SIZE CAGE CODE DRAWING NO           |   |  |
| 2 PLC ± -                              |  | A1 00779C=1825268                   |   |  |
| 3 PLC ± -                              |  | WEIGHT -                            |   |  |
| 4 PLC ± -                              |  | CUSTOMER DRAWING                    |   |  |
| ANGLES ± -                             |  | SCALE 4:1 SHEET 1 OF 1 REV A1       |   |  |